



# Fusion<sup>®</sup>

## Plural-Component Spray Guns



- Optimized for polyurea, foam, polyurethane coatings and adhesive applications
- Maximized spray time for greater productivity
- Quick and easy maintenance
- Longer-life components
- Combined with Reactor proportioners, you have a complete system that generates superior results

PROVEN QUALITY. LEADING TECHNOLOGY.

# Fusion. The Industry Standard.

Revolutionary spray technology for plural-component spray guns



Graco® Fusion® plural-component spray guns apply everything from foam to coatings. Built with an advanced design and durable components, Fusion guns provide long life and a better mix. Combined with Reactor® Proportioners, you have a complete system that generates superior application results. Use Fusion for:

- Foam
- Polyurea
- Polyurethane coatings
- Adhesives

## Fusion Air-Purge

The Easiest-to-Use Gun on the Market

- Easy-to-use design makes maintenance quick and easy
- Longer life, hardened stainless steel mix chambers
- Longer life side seals – choose from hardened stainless steel or PolyCarballoy options
- Advanced mix module and tip design improves mixing
- Solvent-resistant components and o-rings let you soak the whole gun without swelling or damage
- Daily maintenance in a matter of seconds with the quick-shot grease port



## Fusion Mechanical-Purge

The Best Mix on the Market

- Superior mixing
- Smoother finish and better atomization
- Widest range of flow rates
- Low output thin mil applications
- Graco Fusion MP gun offers more advanced features than all other competitive mechanical-purge guns combined



# Easy to Use. Easy to Maintain.

So easy to use, you'll never want to own another gun

## Improve your productivity with a Fusion gun

- Maximum spray time
- Reduced clean-up time
- Longer component life
- Minimum repair and maintenance costs



## Fusion – Designed with fewer parts for easy maintenance

Hand-tight connections reduce the need for tools, making maintenance quick and easy



Remove the front cap for easy access



Remove the fluid section from the gun



Fewer parts, less maintenance

# Fusion Air-Purge (AP)

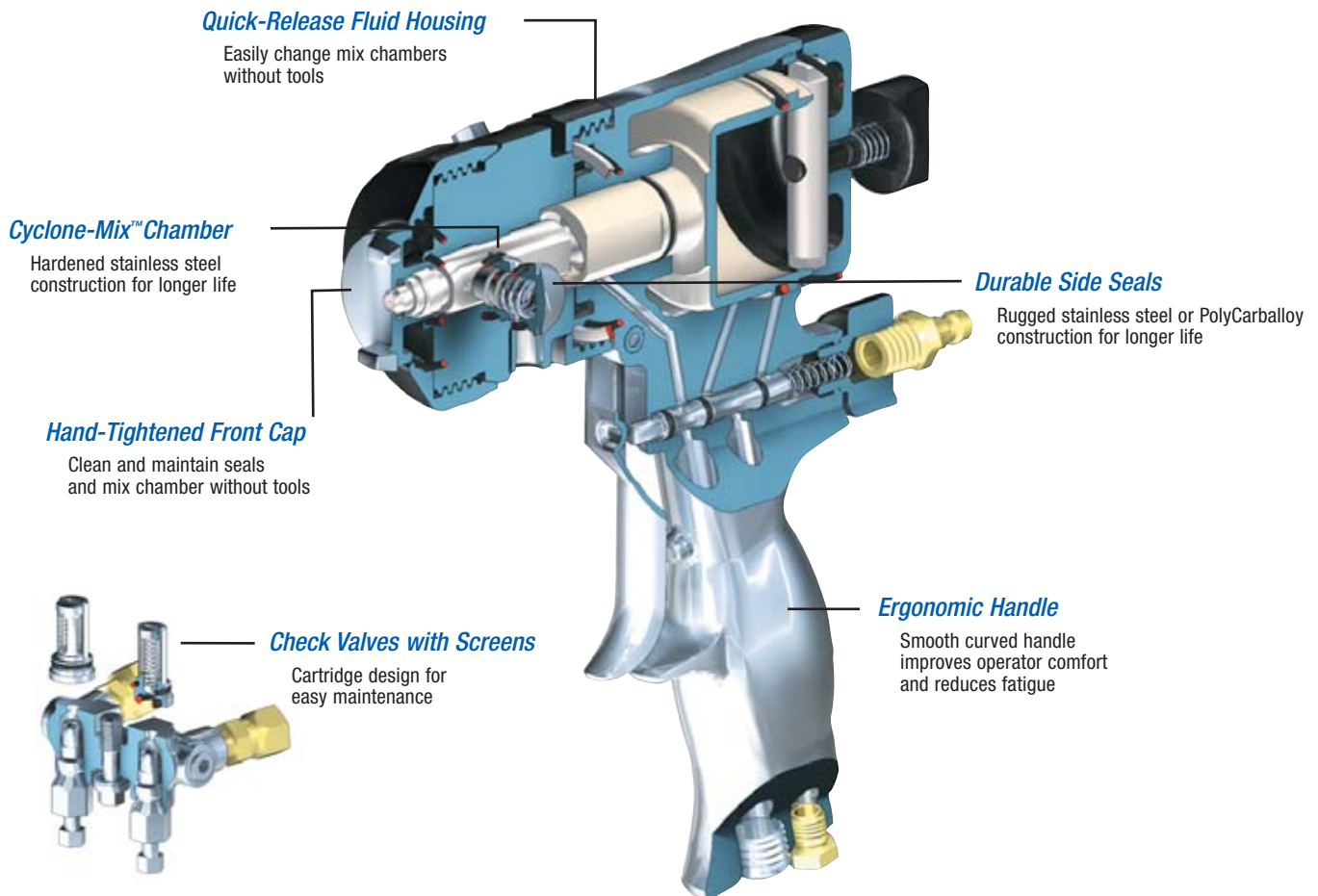
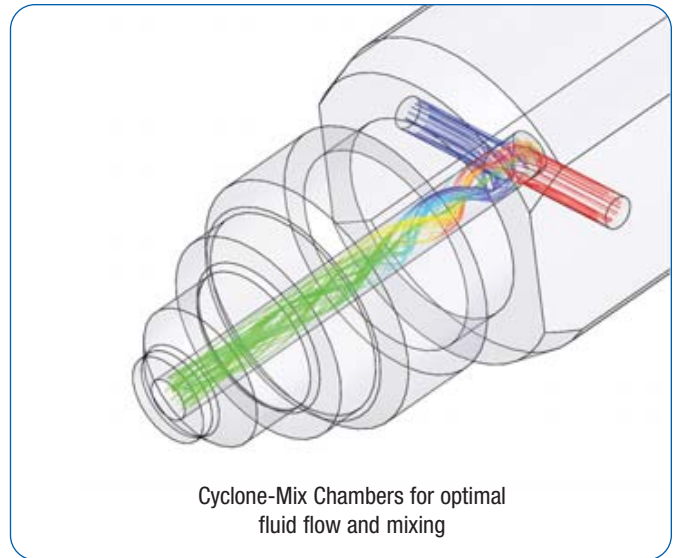
Plural-component spraying made easy

## Improved mixing and spray pattern

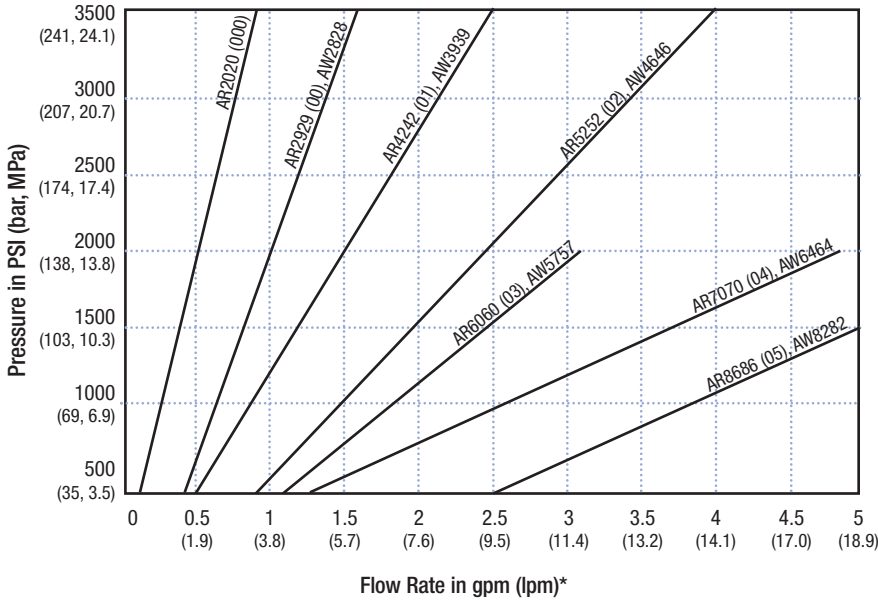
- Advanced Cyclone-Mix™ Chamber engineering optimizes material mix and reduces overspray
- Provides increased material yield and performance

## Durable, long-life components

- Fusion's mix chambers and side seals are built to last
- Hardened stainless steel mix chambers
- Side seals (PolyCarballoy or stainless steel) are designed for longer seal life – lets you spray a wider range of materials
- Solvent-resistant parts withstand the effects of industry standard chemicals



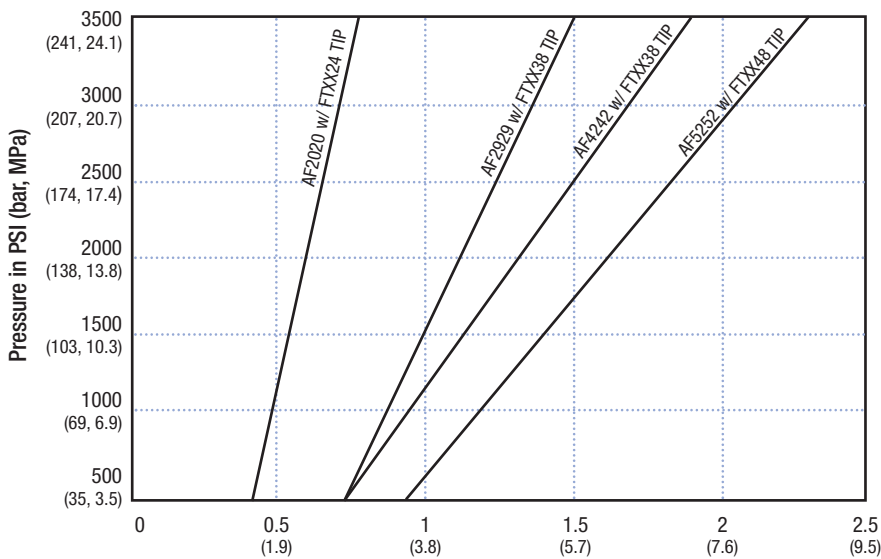
### FUSION AIR-PURGE, ROUND PATTERN



To calculate flow in lb/min, multiply gpm rate by 10.  
Example: 2 gpm x 10 = 20 lb/min

\*Flows are approximate. Actual values will vary with tip choice, material viscosity and material temperature.

### FUSION AIR-PURGE, FLAT PATTERN



To calculate flow in lb/min, multiply gpm rate by 10.  
Example: 2 gpm x 10 = 20 lb/min

\*Flows are approximate. Actual values will vary with tip choice, material viscosity and material temperature.

### Easy air-blast cleaning

- Air-blast tip cleaning reduces build-up and tip clogging

### Daily maintenance in 10 seconds flat!

- Quick-Shot™ grease port reduces end-of-day maintenance to seconds
- At the end of the day, simply shoot grease into the head of the gun
- Purged air carries grease mist through the air chamber, impingement ports and chamber nozzle, coating all surfaces to prevent two-component curing
- Hand-tight connections reduce the need for tools, making maintenance quick and easy



# Fusion Mechanical-Purge (MP)

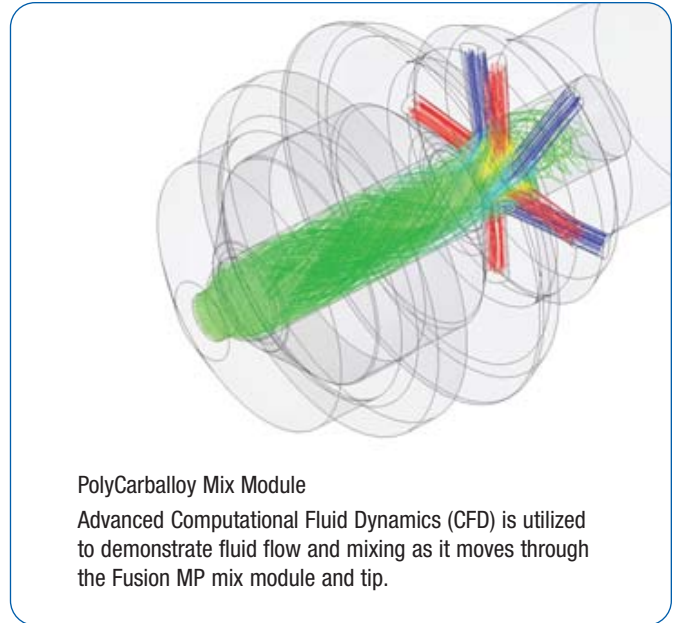
The best mix on the market

## Fusion MP does it all

- Fusion MP handles from very low output, thin mil applications to large, high flow, high output applications just by changing the mix module and tip

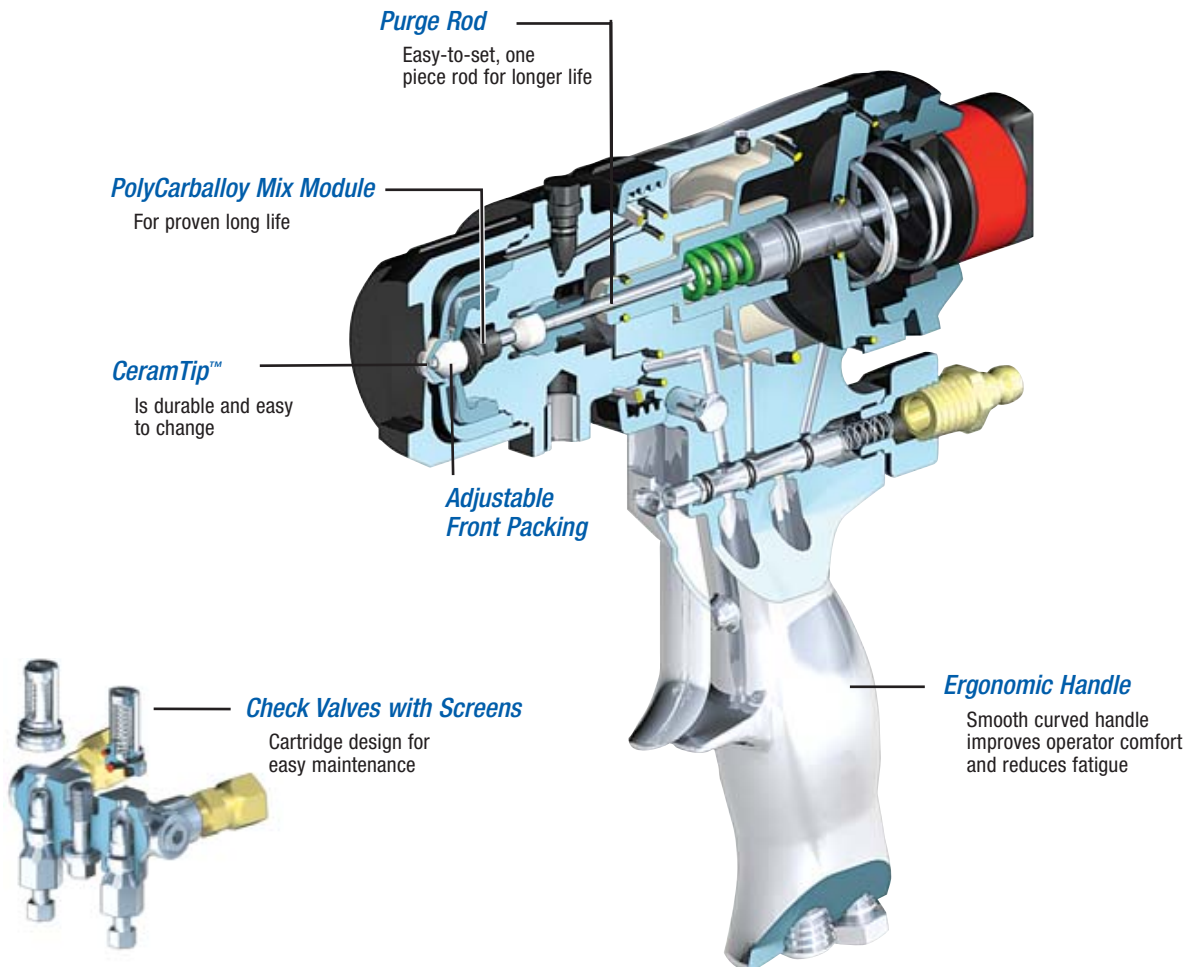
## Improved mixing and better physical properties

- Advanced mix module and tip design provides the best mix and material properties of any gun on the market!

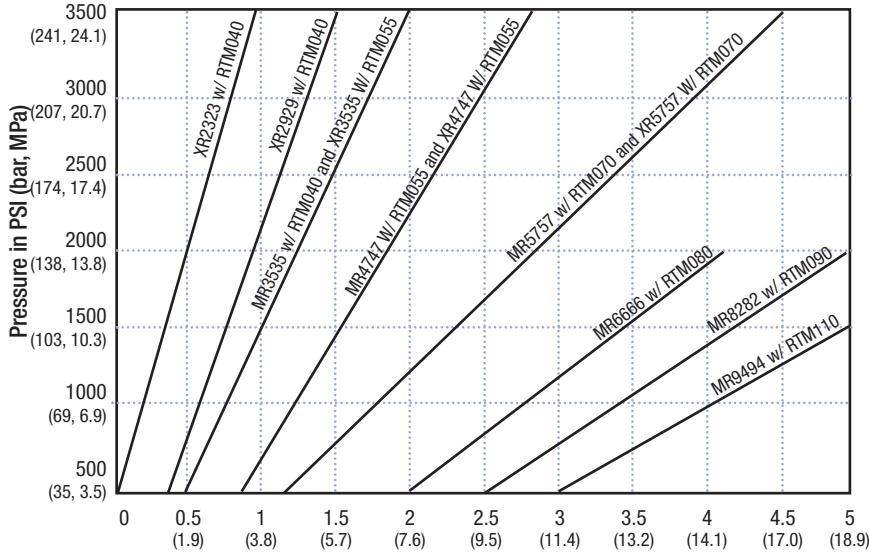


PolyCarballoy Mix Module

Advanced Computational Fluid Dynamics (CFD) is utilized to demonstrate fluid flow and mixing as it moves through the Fusion MP mix module and tip.



### FUSION MECHANICAL-PURGE, ROUND PATTERN



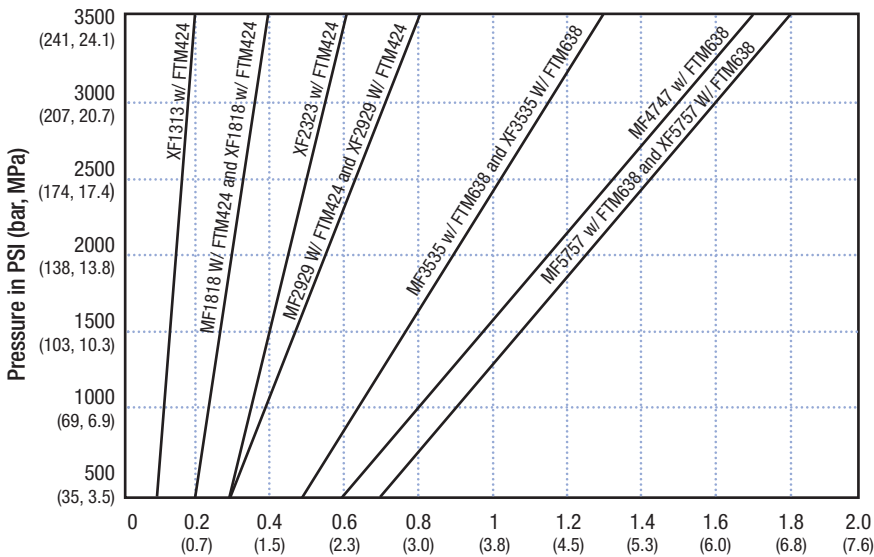
Flow Rate in gpm (lpm)\*

To calculate flow in lb/min, multiply gpm rate by 10.

Example: 2 gpm x 10 = 20 lb/min

\*Flows are approximate. Actual values will vary with tip choice, material viscosity and material temperature.

### FUSION MECHANICAL-PURGE, FLAT PATTERN



Flow Rate in gpm (lpm)\*

To calculate flow in lb/min, multiply gpm rate by 10.

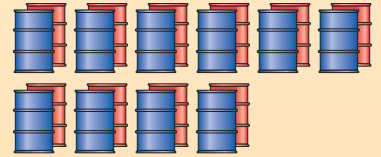
Example: 2 gpm x 10 = 20 lb/min

\*Flows are approximate. Actual values will vary with tip choice, material viscosity and material temperature.

## Sprays 10 times more material!

- PolyCarballoy mix modules for proven long life
- CeramTip is durable and easy to change
- Significantly reduces repair and maintenance costs

#### POLYCARBALLOY MIX MODULE LIFE



#### COMPETITOR'S MODULE LIFE



### Easy mechanical cleaning

- Mix modules and tips are cleaned with a drill bit (supplied)

### Setting the purge rod

- No complex purge rod adjustments
- One step sets the purge rod – you're ready to spray!



# Reactor and Fusion Gun Selection Guide

Choosing the correct mix chambers, modules and tips

## Fusion AP Mix Chambers and Tips



AR = Air (purge) Round  
 AW = Air (purge) Wide Round  
 Aircap = 15B210



AF = Air (purge) Flat  
 FT = Flat Tip (air-purge)  
 Air cap = 15B801

### How to specify the right mix chamber and tip

1. Choose Round (AR) or Flat (AF) pattern (typically round for foam, flat for coatings).
2. Specify "A" and "B" orifice size.
3. If you selected a flat pattern, select the right flat tip for your application.

FLAT PATTERN MIX CHAMBER EXAMPLE:

### AF4242(01)

- AF = Air-purge Flat
- First 42 = "A" (ISO) orifice size
- Second 42 = "B" (RES) orifice size
- (01) = Equivalent size

FLAT TIP EXAMPLE:

### FT0438

- FT = Air-purge flat tip
- 04 = Double this number for the fan pattern width (8 inches)
- 38 = Tip orifice size (.038)

Fusion Gun*	Mix Chamber/ Tip	Pattern at 24 in (61 cm) from target	Polyurea in GPM @ 2000 psi	POLYUREA			
				EXP1	HXP2	EXP2	HXP3
<b>FUSION AIR-PURGE ROUND</b>							
246099	AR2020	5 in (127 mm)	0.5 gpm	•	•	•	•
246100	AR2929	8 in (203 mm)	1.1 gpm	•	•	•	•
NA	AW2828	15 in (381 mm)	1.1 gpm	•	•	•	•
248617	AR3737	9 in (227 mm)	1.3 gpm	•	•	•	•
NA	AW3333	15 in (381 mm)	1.3 gpm	•	•	•	•
246101	AR4242	11 in (279 mm)	1.6 gpm	•	•	•	•
249529	AW3939	16 in (406 mm)	1.6 gpm	•	•	•	•
246102	AR5252	12 in (305 mm)	2.4 gpm	•	•	•	•
249530	AW4646	18 in (457 mm)	2.4 gpm	•	•	•	•
246103	AR6060	14 in (356 mm)					
NA	AW5757	18 in (457 mm)					
246104	AR7070	15 in (381 mm)					
NA	AW6464	22 in (564 mm)					
246105	AR8686	18 in (457 mm)					
NA	AW8282	24 in (610 mm)					
<b>FUSION AIR-PURGE FLAT</b>							
247101	AF2020 (FT0424)	10 in (254 mm)	0.6 gpm	•	•	•	•
247112	AF2929 (FT0438)	10 in (254 mm)	1.2 gpm	•	•	•	•
247124	AF4242 (FT0638)	14 in (356 mm)	1.3 gpm	•	•	•	•
247138	AF5252 (FT0848)	18 in (457 mm)	1.8 gpm	•	•	•	•
<b>FUSION MECHANICAL-PURGE ROUND</b>							
247003	XR2323 (RTM030)	6 in (152 mm)	0.5 gpm	•	•	•	•
247007	MR2929, XR2929 (RTM040)	8 in (203 mm)	0.9 gpm	•	•	•	•
247212	MR3535, XR3535 (RTM040)	8 in (203 mm)	1.2 gpm	•	•	•	•
247219	MR4747, XR4747 (RTM055)	9 in (227 mm)	1.7 gpm	•	•	•	•
247226	MR5757, XR5757 (RTM070)	10 in (254 mm)	2.7 gpm	•	•	•	•
247232	MR6666 (RTM080)	11 in (279 mm)					
247239	MR8282 (RTM090)	12 in (305 mm)					
247246	MR9494 (RTM110)	12 in (305 mm)					
<b>FUSION MECHANICAL-PURGE FLAT</b>							
247051	XF1313 (FTM424)	10 in (254 mm)	0.15 gpm	•	•	•	•
247058	MF1818, XF1818 (FTM424)	10 in (254 mm)	0.3 gpm	•	•	•	•
247061	XF 2323 (FTM424)	10 in (254 mm)	0.4 gpm	•	•	•	•
247065	MF2929, XF2929 (FTM424)	10 in (254 mm)	0.6 gpm	•	•	•	•
247075	MF3535, XF3535 (FTM638)	14 in (356 mm)	0.9 gpm	•	•	•	•
247082	MF4747, XF4747 (FTM638)	14 in (356 mm)	1.1 gpm	•	•	•	•
247089	MF5757, XF5757 (FTM638)	14 in (356 mm)	1.3 gpm	•	•	•	•

\*Mix chamber/tip included with Fusion gun purchase. Additional Fusion guns listed in ordering information.

#### LEGEND

REACTOR MODELS

A = Air E = Electric H = Hydraulic

#### FUSION GUN PART NUMBER CODE

	Mix Part No.	Type	ISO Orifice	RES Orifice	Tip Part No.	Tip Style	Double for fan width	Flat Tip Orifice	Round Tip Orifice
Air-Purge	AR4242	AR	42	42	NA	NA	NA		
	AW3939	AW	39	39	NA	NA	NA		
	AF2929	AF	29	29	FT0638	FT	12	38	
Mechanical-Purge	MR4747	MR	47	47	RTM055	RTM			055
	XR3535	XR	35	35	RTM040	RTM			040
	MF2929	MF	29	29	FTM424	FTM	8	24	
	XF3535	XF	35	35	FTM638	FTM	12	38	



Foam lb/min @ 1000 psi	F O A M				
	A20	E20	H25	E30	H40
3 lb/min	•	•	•	•	•
7 lb/min	•	•	•	•	•
7 lb/min	•	•	•	•	•
8 lb/min	•	•	•	•	•
8 lb/min	•	•	•	•	•
9 lb/min	•	•	•	•	•
9 lb/min	•	•	•	•	•
14 lb/min	•	•	•	•	•
14 lb/min	•	•	•	•	•
19 lb/min			•	•	•
19 lb/min			•	•	•
25 lb/min				•	•
25 lb/min				•	•
35 lb/min					•
35 lb/min					•
3 lb/min	•	•	•	•	•
7 lb/min	•	•	•	•	•
9 lb/min	•	•	•	•	•
12 lb/min	•	•	•	•	•
4 lb/min	•	•	•	•	•
7 lb/min	•	•	•	•	•
8 lb/min	•	•	•	•	•
10 lb/min	•	•	•	•	•
15 lb/min	•	•	•	•	•
24 lb/min				•	•
30 lb/min				•	•
39 lb/min					•
1.5 lb/min					
2.0 lb/min					
2.5 lb/min					
3.0 lb/min					
6.0 lb/min	•	•	•	•	•
7.0 lb/min	•	•	•	•	•
8.0 lb/min	•	•	•	•	•

## Fusion MP Mix Module and Tips



MR4747



RTM030

MR = Mechanical (purge) Round  
 XR = Direct Impinge Round  
 RTM = Round Tip Mechanical (purge)



XF2929



FTM424

MF = Mechanical (purge) Flat  
 XF = Direct Impinge Flat  
 FTM = Flat Tip Mechanical (purge)

### How to specify the right mix module and tip

1. Choose Round (MR) or Flat (MF) pattern mix module (typically round for foam, flat for coatings).
2. Specify "A" and "B" orifice size.
3. Specify the desired tip size for your application.

MIX MODULE EXAMPLE:

### MR4747

- MR = Mechanical Round
- First 47 = "A" (ISO) orifice size (.047 in)
- Second 47 = "B" (RES) orifice size (.047 in)

ROUND TIP EXAMPLE:

### RTM030

- RTM = Round Tip Mechanical
- 030 = Tip orifice size (.030 in)

FLAT TIP EXAMPLE:

### FTM424

- FTM = Flat tip mechanical
- 04 = Double this number for the fan pattern width (8 inches)
- 24 = Tip orifice size (.024)

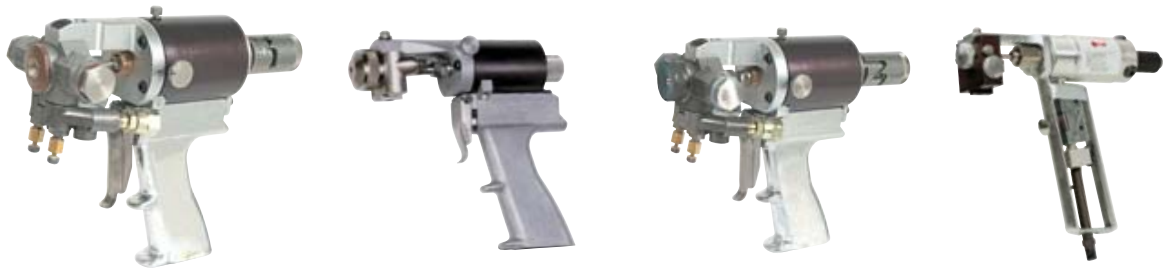
# Spray Gun Specifications

Graco offers a complete line of spray guns for coatings and foam applications



	AIR-PURGE GUNS	
Model	FUSION <sup>®</sup> AP	GAP PRO
Materials sprayed	Foam and coatings	Foam and coatings
Maximum Output	40 lb/min (18 kg/min)	40 lb/min (18 kg/min)
Minimum Output	3 lb/min (1.4 kg/min)	3 lb/min (1.4 kg/min)
Maximum Fluid Working Pressure	3500 psi (240 bar, 24.0 MPa)	3000 psi (207 bar, 20.7 MPa)
Maximum Working Air Inlet Pressure	130 psi (9 bar, 0.9 MPa)	125 psi (8.6 bar, 0.86 MPa)
Maximum Fluid Temperature	200°F (93°C)	200°F (93°C)
Weight	2.5 lb (1.13 kg)	2.34 lb (1.06 kg)
Air inlet size	1/4 npt quick disconnect nipple	1/4 npt quick disconnect nipple
A Component (ISO) inlet size	-5 JIC; 1/2-20 UNF swivel	-5 JIC; 1/2-20 UNF swivel
B Component (Resin) inlet size	-6 JIC; 9/16-18 UNF swivel	-6 JIC; 9/16-18 UNF swivel
Wetted Parts	Aluminum, stainless steel, plated carbon steel, carbide, brass, chemically resistant O-rings	Aluminum, stainless steel, plated carbon steel, carbide, brass, fluorocarbon O-rings
Gun Dimensions	7.5 x 8.1 x 3.3 in (19 x 20.6 x 8.4 cm)	7 x 7 x 4.4 in (17.8 x 17.8 x 11.2 cm)
Instruction manual	309550	311322
Applications	Residential foam insulation, roofing, concrete, waterproofing and other polyurethane foams and elastomeric coatings	Residential foam insulation, roofing, concrete, waterproofing and other polyurethane foams and elastomeric coatings

	MECHANICAL-PURGE GUNS	
Model	FUSION MP	GX-7 DI
Materials sprayed	Foam and coatings	Coatings only
Maximum Output	45 lb/min (20.4 kg/min)	22 lb/min (10.0 kg/min)
Minimum Output	2 lb/min (0.9 kg/min)	4 lb/min (1.8 kg/min)
Maximum Fluid Working Pressure	3500 psi (240 bar, 24.0 MPa)	3500 psi (240 bar, 24.0 MPa)
Maximum Working Air Inlet Pressure	130 psi (9 bar, 0.9 MPa)	125 psi (8.6 bar, 0.86 MPa)
Maximum Fluid Temperature	200°F (93°C)	200°F (93°C)
Weight	2.9 lb (1.32 kg)	3.5 lb (1.6 kg)
Air inlet size	1/4 npt quick disconnect nipple	1/4 npt quick disconnect nipple
A Component (ISO) inlet size	-5 JIC; 1/2-20 UNF swivel	-5 JIC; 1/2-20 UNF swivel
B Component (Resin) inlet size	-6 JIC; 9/16-18 UNF swivel	-6 JIC; 9/16-18 UNF swivel
Wetted Parts	Aluminum, stainless steel, plated carbon steel, polycarbonyl, carbide, brass, chemically resistant O-rings	Aluminum, stainless steel, plated carbon steel, carbide, brass, fluorocarbon O-rings
Gun Dimensions	7.6 x 8.1 x 3.1 in (19.3 x 20.6 x 7.9 cm)	9 x 9.5 x 4.5 in (22.9 x 24.1 x 11.4 cm)
Instruction manual	309550	311321
Applications	Residential foam insulation, roofing, concrete, waterproofing and other polyurethane foams and elastomeric coatings	Medium output fast-set polyurea, polyurethane and hybrid coatings



(mechanical-purge guns, continued)

<b>GX-7-400</b>	<b>GX-8</b>	<b>GX-7</b>	<b>D-GUN</b>
Coatings only	Coatings only	Foam only	Foam only
8 lb/min (3.6 kg/min)	1.5 lb/min (0.7 kg/min)	40 lb/min (18 kg/min)	16 lb/min (7.2 kg/min)
3.5 lb/min (1.6 kg/min)	< 1 lb/min (0.45 kg/min)	3.5 lb/min (1.6 kg/min)	2 lb/min (1 kg/min)
3500 psi (240 bar, 24.0 MPa)	3500 psi (240 bar, 24.0 MPa)	3500 psi (240 bar, 24.0 MPa)	1000 psi (69 bar, 6.9 MPa)
125 psi (8.6 bar, 0.86 MPa)	125 psi (8.6 bar, 0.86 MPa)	125 psi (8.6 bar, 0.86 MPa)	110 psi (7.6 bar, 0.76 MPa)
200°F (93°C)	200°F (93°C)	200°F (93°C)	150°F (65°C)
3.5 lb (1.6 kg)	2.3 lb (1.04 kg)	3.5 lb (1.6 kg)	2.3 lb (1.04 kg)
1/4 npt quick disconnect nipple	1/4 npt quick disconnect nipple	1/4 npt quick disconnect nipple	1/8 npt quick disconnect nipple
-5 JIC; 1/2-20 UNF swivel	-5 JIC; 1/2-20 UNF swivel	-5 JIC; 1/2-20 UNF swivel	-5 JIC; 1/2-20 UNF swivel
-6 JIC; 9/16-18 UNF swivel	-6 JIC; 9/16-18 UNF swivel	-6 JIC; 9/16-18 UNF swivel	-6 JIC; 9/16-18 UNF swivel
Aluminum, stainless steel, plated carbon steel, carbide, brass, fluorocarbon O-rings	Aluminum, stainless steel, plated carbon steel, carbide, brass, fluorocarbon O-rings	Aluminum, stainless steel, plated carbon steel, carbide, brass, fluorocarbon O-rings	Aluminum, stainless steel, plated carbon steel, carbide, brass
9 x 9.5 x 4.5 in (22.9 x 24.1 x 11.4 cm)	7 x 7.5 x 2.5 in (17.8 x 19 x 6.4 cm)	9 x 9.5 x 4.5 in (22.9 x 24.1 x 11.4 cm)	8 x 9 x 2.25 in (20.3 x 22.9 x 5.7 cm)
311321	311338	311321	311320
Low output fast-set polyurea, polyurethane, and hybrid coatings	Very low output, fast-set polyurea, polyurethane and hybrid coatings	Residential foam insulation, roofing, concrete and other polyurethane foams	Low to medium output foam applications

# Ordering Information

For genuine Graco accessories, see your nearest Graco Distributor,  
or call Graco at 1-877-844-7226.



## Air-Purge Guns

### Fusion Air-Purge Guns, Round

246099	AR2020 (000) mix chamber (0.020 orifice size)
246100	AR2929 (00) mix chamber (0.029 orifice size)
246101	AR4242 (01) mix chamber (0.042 orifice size)
246102	AR5252 (02) mix chamber (0.052 orifice size)
246103	AR6060 (03) mix chamber (0.060 orifice size)
246104	AR7070 (04) mix chamber (0.070 orifice size)
246105	AR8686 (05) mix chamber (0.086 orifice size)
248617	AR3737 mix chamber, sized between AR2929 and AR4242
249529	AW3939(01) wide round pattern
249530	AW4646(02) wide round pattern
248408	Adhesive/spatter gun for fleeceback roofing systems
249525	Stud wall gun w/AF4242 and FTM979
249526	Stud wall gun w/AF5252 and FTM979

### Fusion Air-Purge Mix Chambers, Round

AR2020	(000) mix chamber with clean out drill bits, (0.020 orifice size)
AR2929	(00) mix chamber with clean out drill bits, (0.029 orifice size)
AR3737	Mix chamber with clean out drill bits, (between 0.029 and 0.042 orifice size)
AR4242	(01) mix chamber with clean out drill bits, (0.042 orifice size)
AR5252	(02) mix chamber with clean out drill bits, (0.052 orifice size)
AR6060	(03) mix chamber with clean out drill bits, (0.060 orifice size)
AR7070	(04) mix chamber with clean out drill bits, (0.070 orifice size)
AR8686	(05) mix chamber with clean out drill bits, (0.086 orifice size)

### Fusion Air-Purge Mix Chambers, Wide Round

AW2222	50% wider pattern, compares to AR2020
AW2828	50% wider pattern, compares to AR2929
AW3333	50% wider pattern, compares to AR3737
AW3939	50% wider pattern, compares to AR4242
AW4646	50% wider pattern, compares to AR5252
AW5757	50% wider pattern, compares to AR6060
AW6464	50% wider pattern, compares to AR7070
AW8282	50% wider pattern, compares to AR8686

### Fusion Air-Purge Gun, Flat

247101	AF2020 mix chamber with FT0424 flat tip
247102	AF2020 mix chamber with FT0438 flat tip
247103	AF2020 mix chamber with FT0624 flat tip
247104	AF2020 mix chamber with FT0638 flat tip
247107	AF2020 mix chamber with FT0838 flat tip
247108	AF2020 mix chamber with FT0848 flat tip
247111	AF2929 mix chamber with FT0424 flat tip
247112	AF2929 mix chamber with FT0438 flat tip
247113	AF2929 mix chamber with FT0624 flat tip
247114	AF2929 mix chamber with FT0638 flat tip
247117	AF2929 mix chamber with FT0838 flat tip
247118	AF2929 mix chamber with FT0848 flat tip
247121	AF4242 mix chamber with FT0424 flat tip
247122	AF4242 mix chamber with FT0438 flat tip
247123	AF4242 mix chamber with FT0624 flat tip
247124	AF4242 mix chamber with FT0638 flat tip
247127	AF4242 mix chamber with FT0838 flat tip
247128	AF4242 mix chamber with FT0848 flat tip
247131	AF5252 mix chamber with FT0424 flat tip
247132	AF5252 mix chamber with FT0438 flat tip
247133	AF5252 mix chamber with FT0624 flat tip
247134	AF5252 mix chamber with FT0638 flat tip
247137	AF5252 mix chamber with FT0838 flat tip
247138	AF5252 mix chamber with FT0848 flat tip

### Fusion Air-Purge Mix Chambers, Flat

AF2020	(000) mix chamber with clean out drill bits, o-ring
AF2929	(00) mix chamber with clean out drill bits, o-ring
AF4242	(01) mix chamber with clean out drill bits, o-ring
AF5252	(02) mix chamber with clean out drill bits, o-ring

### Fusion Air-Purge Tips, Flat

FT0424	Low fluid flow, 8 to 10 in tip pattern
FT0438	Medium fluid flow, 8 to 10 in pattern
FT0624	Low fluid flow, 12 to 14 in tip pattern
FT0638	Med fluid flow, 12 to 14 in tip pattern
FT0838	Medium fluid flow, 16 to 18 in pattern
FT0848	High fluid flow, 16 to 18 in pattern

### Fusion Air-Purge with PolyCarballoy Options

255201	AP Fusion w/ PolyCarballoy side seal - AR4242(01) mix chamber
255202	AP Fusion w/ PolyCarballoy side seal - AR5252(02) mix chamber
249990	PolyCarballoy side seals, pack of 2
277298	PolyCarballoy side seals, pack of 50

### Fusion Air-Purge Parts and Accessories

117792	Fusion grease gun
118665	Fusion lube, for lubricating threads, o-rings, components
117773	Fusion grease - specially formulated isocyanate compatible lighter viscosity grease used in port on Air-Purge Gun for daily maintenance
248279	Fusion lube, for lubricating threads, o-rings, components, pack of 10
248280	Fusion grease, specially formulated isocyanate compatible lighter viscosity grease used in port on Air-Purge Gun for daily maintenance, pack of 10
246012	Fluid manifold assembly
246347	Side seal o-ring kit, includes (6) o-rings for both cartridges
246348	Side seal kit, includes (2) side seals with o-rings
246349	A (ISO) cartridge assembly, A-side, SST, seal and o-rings
246350	B (Poly) cartridge assembly, B-side, SST, seal and o-rings
246351	Check valve seal repair kit
246352	Check valve assembly, B (Poly)
246731	Check valve assembly, A (ISO)
248129	Check valve o-ring, radial, pack of 6
248133	Check valve o-ring, face, pack of 6
246354	O-ring, clean off air, pack of 6
246355	Gun seal repair kit, includes all necessary o-rings for the entire gun assembly
246356	Fluid manifold valve repair kit
246357	Gun filter, 40 mesh, pack of 10
246358	Gun filter, 60 mesh, pack of 10
246359	Gun filter, 80 mesh, pack of 10
246360	Flat tip sealing o-ring kit, pack of 3
15D234	Flat tip cleanout tool
246361	Quick change front half spray head kit, includes entire spray head assembly less mix chamber. Order mix chamber separately
248130	Side seal housing o-ring kit, pack of 6
248132	O-ring, fluid housing, pack of 6
15B210	Air cap, round pattern, for Fusion Air-Purge Gun
15B801	Air cap, flat pattern, for Fusion Air-Purge Gun
244914	Air-Purge gun cover kit, pack of 10
248528	Fusion Air-Purge pour adapter kit
113379	Ball-valve for air hose
117509	1/4 npt male quick disconnect, air
117510	1/4 npt female quick disconnect, air
117661	Pin vise, double-ended pin vise, with reversible chucks, to hold cleanout drill bits from 0-1/8 in
119386	Drill bit kit, 20 piece, #61 - #81
246944	Manifold conversion kit; converts Fusion manifold to fit a GX-7 gun. Fusion manifold 246012 not included.
246945	Manifold conversion kit; converts GX-7 manifold to fit a Fusion gun



248139	Solvent flush kit, 1 qt (.95 l) pressurized container for solvent flushing gun before service
248229	5 gal Fusion Gun flush system
15B772	1/8 in (3.18 mm) air hose, 18 in (.46 m) long, use to attach gun to whip hose
15B817	Gun flush manifold block
15D546	Fusion gun cleaning kit
248414	Adhesive/spatter kit, converts Fusion Air-Purge to adhesive/spatter gun
248415	Tip for adhesive/spatter gun

#### Extension Tip Kits

281010	Extension tip kit for AR2020/AF2929 mix chamber
281011	Extension tip kit for AR2929/AF2929 mix chamber
281012	Extension tip kit for AR4242/AF4242 mix chamber
281013	Extension tip kit for AR5252/AF5252 mix chamber
281014	Extension tip kit for AR2020/AF2929 mix chamber
281015	Extension tip kit for AR2929/AF2929 mix chamber
281016	Extension tip kit for AR4242/AF4242 mix chamber
281017	Extension tip kit for AR5252/AF5252 mix chamber
248020	Extension tip air cap kit
248018	Flat extension tip seal kit
248019	Round extension tip seal kit
249421	Fusion stud wall kit

#### Gap Pro Gun

295550	GAP Pro Flat Package #00 Chamber
295551	GAP Pro Flat Package #01 Chamber
295552	GAP Pro Flat Package #02 Chamber
295553	GAP Pro Flat Package #03 Chamber
295554	GAP Pro Flat Package #04 Chamber
295555	GAP Pro Flat #04 w/ Spatter tip
295556	GAP Pro Flat Package #05 Chamber
295557	GAP Pro Round Package #00 Chamber
295558	GAP Pro Round #00 Recirc
295559	GAP Pro Round Package #01 Chamber
295560	GAP Pro Round Package #02 Chamber
295561	GAP Pro Round Package #03 Chamber
295562	GAP Pro Round Package #04 Chamber

#### Gap Pro Gun Accessories

296840	Mix Chamber GAP Pro Flat-00
296841	Mix Chamber GAP Pro Flat-01
296842	Mix Chamber GAP Pro Flat-02
296843	Mix Chamber GAP Pro Flat-03
296844	Mix Chamber GAP Pro Flat-04
296845	Mix Chamber GAP Pro Flat-05
296846	Mix Chamber GAP Pro Round-00
296847	Mix Chamber GAP Pro Round-01
296848	Mix Chamber GAP Pro Round-02
296849	Mix Chamber GAP Pro Round-03
296850	Mix Chamber GAP Pro Round-04
296851	Mix Chamber GAP Pro Round-05
296953	Check valve kit
296942	Screen screw seal kit, pack of 2
296939	80 screen mesh kit, pack of 10
296945	Air seal, small mix chamber
296946	Air seal, large mix chamber
296956	Side seal kit, pack of 2
296970	Manual valve assembly
296348	TP100 tip
261293	TP100 tip kit

## Mechanical-Purge Guns

#### Fusion Mechanical-Purge Guns, DI Flat

247050	Fusion MP direct impingement, flat pattern XF1313, FTM317
247051	Fusion MP direct impingement, flat pattern XF1313, FTM424
247057	Fusion MP direct impingement, flat pattern XF1818, FTM317
247058	Fusion MP direct impingement, flat pattern XF1818, FTM424
247061	Fusion MP direct impingement, flat pattern XF2323, FTM424
247062	Fusion MP direct impingement, flat pattern XF2323, FTM438
247063	Fusion MP direct impingement, flat pattern XF2323, FTM624
247065	Fusion MP direct impingement, flat pattern XF2929, FTM424
247066	Fusion MP direct impingement, flat pattern XF2929, FTM438
247067	Fusion MP direct impingement, flat pattern XF2929, FTM624
247073	Fusion MP direct impingement, flat pattern XF3535, FTM438
247074	Fusion MP direct impingement, flat pattern XF3535, FTM624
247075	Fusion MP direct impingement, flat pattern XF3535, FTM638
247081	Fusion MP direct impingement, flat pattern XF4747, FTM624
247082	Fusion MP direct impingement, flat pattern XF4747, FTM638
247083	Fusion MP direct impingement, flat pattern XF4747, FTM838
247089	Fusion MP direct impingement, flat pattern XF5757, FTM638
247090	Fusion MP direct impingement, flat pattern XF5757, FTM838
247091	Fusion MP direct impingement, flat pattern XF5757, FTM848
247163	Fusion MP direct impingement, flat pattern XF2332, FTM438

#### Fusion Mechanical-Purge Guns, Standard Flat

247257	Fusion MP standard, flat pattern MF1818, FTM317
247258	Fusion MP standard, flat pattern MF1818, FTM424
247265	Fusion MP standard, flat pattern MF2929, FTM424
247266	Fusion MP standard, flat pattern MF2929, FTM438
247267	Fusion MP standard, flat pattern MF2929, FTM624
247273	Fusion MP standard, flat pattern MF3535, FTM438
247274	Fusion MP standard, flat pattern MF3535, FTM624
247275	Fusion MP standard, flat pattern MF3535, FTM638
247281	Fusion MP standard, flat pattern MF4747, FTM624
247282	Fusion MP standard, flat pattern MF4747, FTM638
247283	Fusion MP standard, flat pattern MF4747, FTM838
247289	Fusion MP standard, flat pattern MF5757, FTM638
247290	Fusion MP standard, flat pattern MF5757, FTM838
247291	Fusion MP standard, flat pattern MF5757, FTM848

#### Fusion Mechanical-Purge Guns, DI Round

247003	Fusion MP direct impingement, round pattern XR2323, RTM040
247006	Fusion MP direct impingement, round pattern XR2929, RTM030
247007	Fusion MP direct impingement, round pattern XR2929, RTM040
247011	Fusion MP direct impingement, round pattern XR3535, RTM030
247012	Fusion MP direct impingement, round pattern XR3535, RTM040
247013	Fusion MP direct impingement, round pattern XR3535, RTM055
247018	Fusion MP direct impingement, round pattern XR4747, RTM040
247019	Fusion MP direct impingement, round pattern XR4747, RTM055
247025	Fusion MP direct impingement, round pattern XR5757, RTM055
247026	Fusion MP direct impingement, round pattern XR5757, RTM070

#### Fusion Mechanical-Purge Guns, Standard Round

247211	Fusion MP standard, round pattern MR3535, RTM030
247212	Fusion MP standard, round pattern MR3535, RTM040
247213	Fusion MP standard, round pattern MR3535, RTM055
247218	Fusion MP standard, round pattern MR4747, RTM040
247219	Fusion MP standard, round pattern MR4747, RTM055
247225	Fusion MP standard, round pattern MR5757, RTM055
247226	Fusion MP standard, round pattern MR5757, RTM070
247231	Fusion MP standard, round pattern MR6666, RTM070
247232	Fusion MP standard, round pattern MR6666, RTM080
247233	Fusion MP standard, round pattern MR6666, RTM090
247239	Fusion MP standard, round pattern MR8282, RTM090

# Ordering Information

For genuine Graco accessories, see your nearest Graco Distributor,  
or call Graco at 1-877-844-7226.

247240	Fusion MP standard, round pattern MR8282, RTM100
247245	Fusion MP standard, round pattern MR9494, RTM100
247246	Fusion MP standard, round pattern MR9494, RTM110

## Fusion Mechanical-Purge Mix Modules

MF1818	Standard mix module, flat
MF2929	Standard mix module, flat
MF3535	Standard mix module, flat
MF4747	Standard mix module, flat
MF5757	Standard mix module, flat
MR3535	Standard mix module, round
MR4747	Standard mix module, round
MR5757	Standard mix module, round
MR6666	Standard mix module, round
MR8282	Standard mix module, round
MR9494	Standard mix module, round
XF1313	Direct impingement mix module, flat
XF1318	Direct impingement mix module, flat
XF1818	Direct impingement mix module, flat
XF1824	Direct impingement mix module, flat
XF2323	Direct impingement mix module, flat
XF2332	Direct impingement mix module, flat
XF2929	Direct impingement mix module, flat
XF3535	Direct impingement mix module, flat
XF4747	Direct impingement mix module, flat
XF5757	Direct impingement mix module, flat
XR2323	Direct impingement mix module, flat
XR2929	Direct impingement mix module, round
XR3535	Direct impingement mix module, round
XR4747	Direct impingement mix module, round
XR5757	Direct impingement mix module, round

## Fusion Mechanical-Purge Round Tips

RTM024	Kit, round tip, mechanical-purge
RTM030	Kit, round tip, mechanical-purge
RTM040	Kit, round tip, mechanical-purge
RTM055	Kit, round tip, mechanical-purge
RTM070	Kit, round tip, mechanical-purge
RTM080	Kit, round tip, mechanical-purge
RTM090	Kit, round tip, mechanical-purge
RTM100	Kit, round tip, mechanical-purge
RTM110	Kit, round tip, mechanical-purge

## Fusion Mechanical-Purge Flat Tips

FTM317	Kit, flat tip, mechanical-purge, 6 in (152 mm) pattern, very low flow
FTM424	Kit, flat tip, mechanical-purge, 8 in (203 mm) pattern, low flow
FTM438	Kit, flat tip, mechanical-purge, 8 in (203 mm) pattern, medium flow
FTM624	Kit, flat tip, mechanical-purge, 12 in (305 mm) pattern, low flow
FTM638	Kit, flat tip, mechanical-purge, 12 in (305 mm) pattern, medium flow
FTM838	Kit, flat tip, mechanical-purge, 16 in (406 mm) pattern, medium flow
FTM848	Kit, flat tip, mechanical-purge, 16 in (406 mm) pattern, high flow

## Fusion Mechanical-Purge Accessories

244915	Mechanical-Purge gun cover kit, pack of 10
248603	Converts Fusion MP gun to Solvent-Purge
248642	Static mixer assembly for Solvent-Purge Gun, 3 in (76 mm)
248682	Fusion Mechanical pour adapter kit
15D546	Fusion gun cleaning kit
119386	Drill bit kit, 20-piece, #61-#81

## Fusion Mechanical-Purge Parts

248000	Kit, complete o-ring, Fusion MP
248001	Kit, purge rod
248003	Kit, front/rear packing, pack of 4

## Fusion Specialty Guns

248408	Fusion AP spatter/adhesive manual gun. Manual 309550.
248597	Manual Fusion solvent-purge gun. Manual 310648.

## Automatic Fusion

248376	Automatic Fusion AP, round, AR2929, requires 4-way solenoids
248377	Automatic Fusion AP, round, AR4242, requires 4-way solenoids
248378	Automatic Fusion AP, round, AR5252, requires 4-way solenoids
248379	Automatic Fusion AP, round, AR6060, requires 4-way solenoids
248380	Automatic Fusion AP, flat, AF2020, FT0424, requires 4-way solenoids
248381	Automatic Fusion AP, flat, AF2929, FT0438, requires 4-way solenoids
248382	Automatic Fusion MP, round, direct impingement, XR2929, RTM040, requires 4-way solenoids
248383	Automatic Fusion MP, round, direct impingement, XR3535, RTM040, requires 4-way solenoids
248384	Automatic Fusion MP, flat, direct impingement, XF1313, FTM317, requires 4-way solenoids
248385	Automatic Fusion MP, flat, direct impingement, XF1818, FTM424, requires 4-way solenoids
248386	Automatic Fusion MP, round, MR3535, RTM040, requires 4-way solenoids
248387	Automatic Fusion MP, round, MR5757, RTM0702, requires 4-way solenoids
248647	Auto Fusion - Solvent-Purge, requires 4-way solenoids. Manual 310648

## GX-7 Gun

295542	GX-7 1/90 Gun
295543	GX-7 10/210 Gun
295544	GX-7 3/70 Gun
295545	GX-7 5/70 Gun
295541	GX-7 DI 4/213 Gun
295540	GX-7-400 Gun

## GX-7, GX-7-DI Tips and Accessories

296128	Coupling block gasket, pack of 2
296692	Valving rod, 125
296693	Screen screw seal kit, pack of 2
296694	Round tip 100
296695	Round tip 110
296697	Round tip 125
296698	Fan tip 202
296700	Fan tip 204
296701	Fan tip 206
296702	Fan tip 208
296703	Fan tip 209
296704	Fan tip 210
296705	Fan tip 212
296706	Fan tip 213
296707	Fan tip 215
296708	Round tip 40
296709	Round tip 46
296710	Round tip 70
296711	Round tip 80
296712	Round tip 90
296715	Round tip 210
296716	Round tip 212
296717	Round tip 55, pack of 5
296718	Round tip 70, pack of 5
296719	Round tip 80, pack of 5
296720	Round tip 90, pack of 5
296722	Check valve kit, pack of 10
296723	Screen screw seal kit, pack of 2
296792	Screen screw seal kit, pack of 10
296724	80 mesh screen, package of 50
296829	Rear packing seal, pack of 5

296882 Fan tip 212.5 spec  
296883 Fan tip 213.5 spec

#### GX-7 Mix Modules

---

296868 Module, A5 pour  
296869 Module, A5 pour, pack of 12  
296870 Module, A5-FS pour  
296871 Module, A5-FS pour, pack of 12  
296872 Module, A10 pour, pack of 12  
296873 Module, A20 pour, pack of 12  
296874 Module, A2 pour, pack of 12 (with 2 drills)  
296875 Module, A2 pour  
296876 Module, A3 pour  
296885 Fan module, #402 round  
296888 Fan module, #452 fan  
296891 Fan module, #453 fan  
296901 Ported module, #4  
296903 Ported module, #5  
296906 Round module, #10  
296908 Round module, #1, pack of 12 (with 2 drills)  
296909 Round module, #1  
296910 Flat module, #12  
296915 Round module, #16  
296916 Round module, #2  
296917 Round module, #22  
296919 Round module, ported #3  
296921 Round module, ported #4  
296922 Round module, ported #5  
296923 Round module, ported #5  
296924 Round module, ported #53  
296925 Fan module, ported #7 flat  
296926 Fan module, ported #MA round  
296970 Manual valve  
296978 Front packing  
295868 PCD retainer O-ring

#### GX-7 DI Mix Module Kits

---

296900 Fan module #2  
296901 Fan module #4  
296903 Fan module #5  
296903 Round module #5

#### GX-7 400 Mix Module Kits

---

296885 Round module 402  
296884 Round module 402, pack of 12  
296859 Fan module 451  
296860 Fan module 451, pack of 12  
296888 Fan module 452  
296887 Fan module 452, pack of 12  
296891 Fan module 453  
296890 Fan module 453, pack of 12

#### GX-7 400 Tip Kits

---

296858 Round 40  
296852 Fan 210  
296853 Fan 212  
296854 Fan 212, pack of 5  
296855 Fan 213  
296856 Fan 213, pack of 5  
296857 Fan 214  
296892 TOM

#### D-Gun

---

295530 D-Gun 55 Mix Chamber  
295531 D-Gun 55 Mix Chamber Recirc  
295532 D-Gun 62 Mix Chamber  
295533 D-Gun 70 Mix Chamber

#### D-Gun Mix Chambers

---

296584 Mix Chamber 46, L800  
296585 Mix Chamber 46, L-810  
296586 Mix Chamber 55, L  
296587 Mix Chamber 55, L  
296588 Mix Chamber 70, L  
296594 Mix Chamber 46, N-800  
296595 Mix Chamber 46, N-810  
296597 Mix Chamber 55, N  
296598 Mix Chamber 62, N  
296599 Mix Chamber 70, N  
296600 Mix Chamber 78, N

#### D-Gun Valving Rods

---

296578 Valving Rod D-Gun 46  
296579 Valving Rod D-Gun 55  
296580 Valving Rod D-Gun 62  
296581 Valving Rod D-Gun 70  
296582 Valving Rod D-Gun 78

#### D-Gun Air Caps

---

296634 Air Cap, D-Gun 55/62  
296635 Air Cap, D-Gun 70/78  
296838 Air Cap, D-Gun 46

#### D-Gun Accessories

---

296621 Screen screw seal kit, pack of 10  
296622 80 mesh screen kit, pack of 10  
296623 80 mesh screen kit, pack of 50  
296611 Felt wiper kit, pack of 5  
296125 Air valve repair kit  
296725 Air cylinder seal kit

#### D-Gun Check Valves

---

296614 Check Valve-A, D-Gun, pack of 10  
296615 Check Valve-R, D-Gun, pack of 10

#### GX-8 Gun

---

297898 GX-8 Gun, with 013 module  
297832 GX-8 Gun with starter and service kit  
297860 Auto GX-8 Gun, with 013 module  
295377 013 round module  
295339 020 round tip  
295428 024 round tip  
295338 013 fan module  
297192 201 fan tip  
297841 202 fan tip



## ABOUT GRACO

### PROVEN QUALITY. LEADING TECHNOLOGY.

Founded in 1926, Graco is a world leader in fluid handling systems and components. Graco products move, measure, control, dispense and apply a wide range of fluids and viscous materials used in vehicle lubrication, commercial and industrial settings.

The company's success is based on its unwavering commitment to technical excellence, world-class manufacturing and unparalleled customer service. Working closely with qualified distributors, Graco offers systems, products and technology that set the quality standard in a wide range of fluid handling solutions. Graco provides equipment for spray finishing, protective coating, paint circulation, lubrication, and dispensing sealants and adhesives, along with power application equipment for the contractor industry. Graco's ongoing investment in fluid management and control will continue to provide innovative solutions to a diverse global market.

## GRACO LOCATIONS

### MAILING ADDRESS

P.O. Box 1441  
Minneapolis, MN 55440-1441  
Tel: 612.623.6000  
Fax: 612.623.6777

### AMERICAS

#### MINNESOTA

Worldwide Headquarters  
Graco Inc.  
88-11th Avenue N.E.  
Minneapolis, MN 55413

### EUROPE

#### BELGIUM

European Headquarters  
Graco N.V.  
Industrieterrein-Oude Bunders  
Slakweidestraat 31  
3630 Maasmechelen,  
Belgium  
Tel: 32.89.770.700  
Fax: 32.89.770.777

### ASIA PACIFIC

#### AUSTRALIA

Graco Australia Pty Ltd  
P.O. Box 558  
Level 2 / 541 Blackburn Rd.  
Mount Waverley VIC 3149  
Australia  
Tel: 61.3.9550.0848  
Fax: 61.3.9550.0816

#### CHINA

Graco Fluid Equipment  
(Shanghai) Co. Ltd.  
Room 118 1st Floor  
No.2 Xin Yuan Building  
No.509 Cao Bao Road  
Shanghai, P.R. China 200233  
Tel: 86.21.649.50088  
Fax: 86.21.649.50077

#### INDIA

Graco (HK) Ltd. India Liaison Office  
Room 103, Level 4, Augusta Point  
Golf Course Road  
Gurgaon, Haryana, India 122001  
Tel: +91.124.435.4208

#### JAPAN

Graco K.K.  
1-27-12 Hayabuchi  
Tsuzuki-ku  
Yokohama City, Japan 2240025  
Tel: 81.45.593.7300  
Fax: 81.45.593.7301

#### KOREA

Graco Korea Inc.  
Choheung Bank Building  
4th Floor #1599  
Gwanyang-Dong, Dongan-Ku,  
Anyang-Si, Gyunggi-Do,  
Korea 431-060  
Tel: 82(Korea).31.476.9400  
Fax: 82(Korea).31.476.9801

## SALES/DISTRIBUTION/SERVICE

Call today for product information or to request a demonstration.

**1.877.84GRACO (1-877-844-7226)** or visit us at [www.graco.com](http://www.graco.com).

Graco Inc. is registered to I.S. EN ISO 9001

North America  
Industrial Customer Service  
800-328-0211  
FAX 877-340-6427